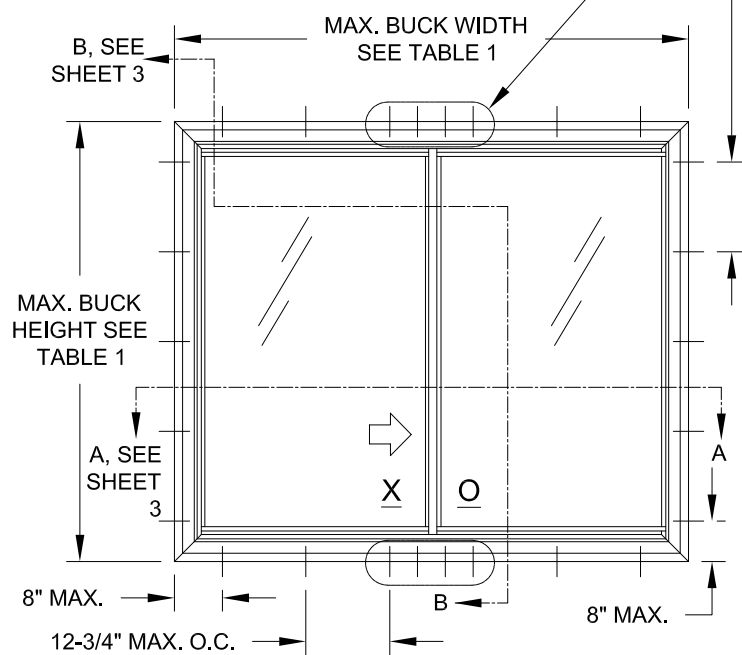
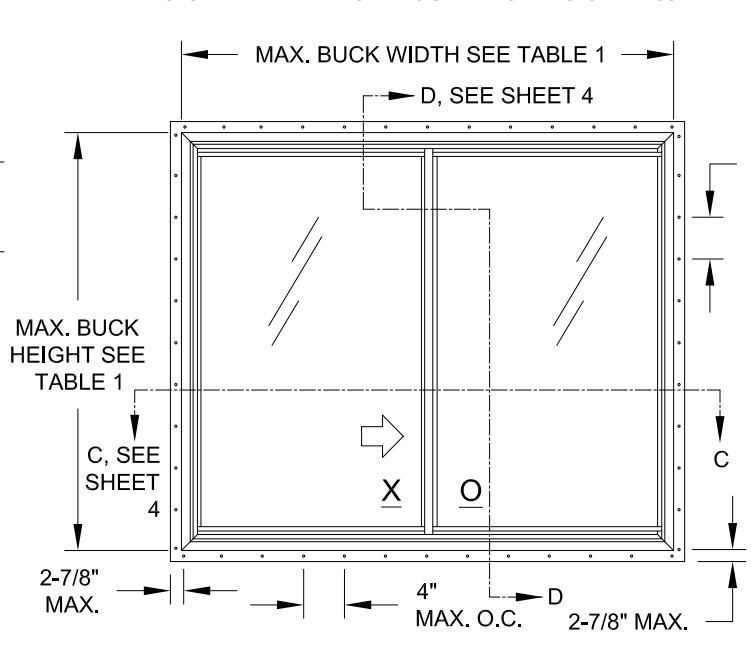


IMPACT RATING	DESIGN PRESSURE RATING
LARGE & SMALL MISSILE IMPACT RESISTANT	SEE TABLE 1

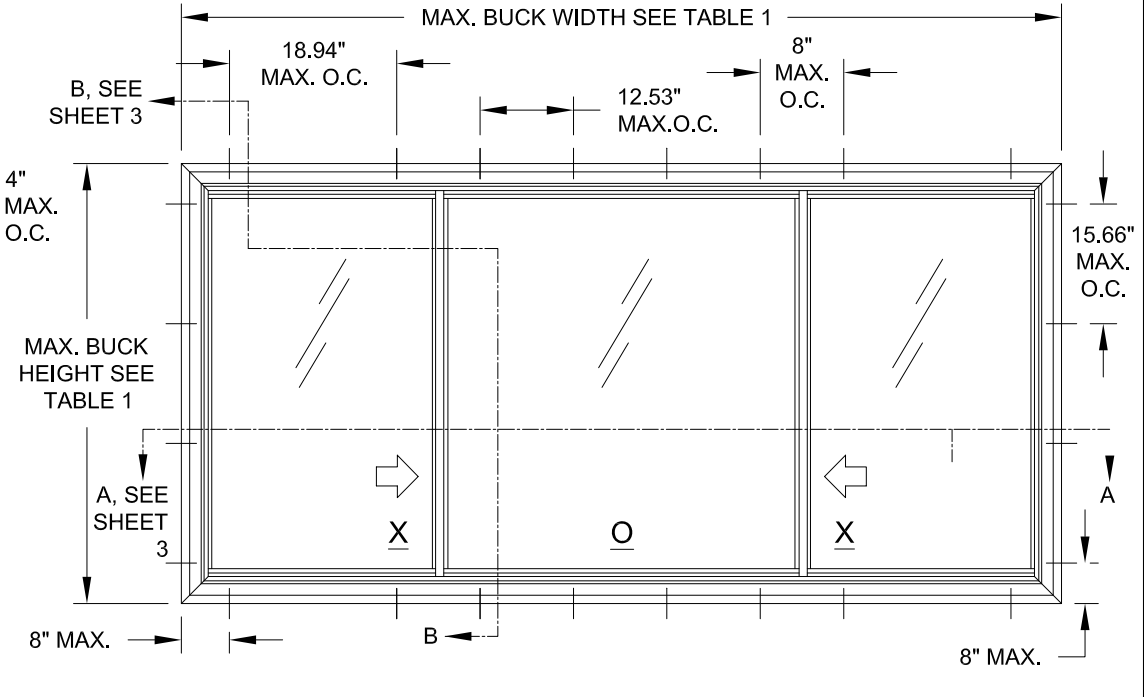
2 ANCHORS @ 8" MAX. O.C. IF THE WINDOW BUCK HEIGHT IS 63" OR LESS.
 4 ANCHORS @ 4" MAX. O.C. IF THE WINDOW BUCK HEIGHT IS OVER 63".
 19" MAX. O.C. IF THE WINDOW BUCK HEIGHT IS 63" OR LESS.
 14" MAX. O.C. IF THE WINDOW BUCK HEIGHT IS OVER 63".



ELEVATION FOR TYP. EQUAL LEG/BOX & FLANGE FRAME, XO CONFIGURATION, OX SIMILAR



ELEVATION FOR TYP. FIN OR J-CHANNEL FRAME, XO CONFIGURATION, OX & XOX SIMILAR



ELEVATION FOR TYP. EQUAL LEG/BOX & FLANGE FRAME, XOX CONFIGURATION
 MAX. SASH WIDTH = 30.36"
 MAX. FIXED LITE (BUCK WIDTH - [2 X SASH WIDTH]) = 59.28"

GENERAL NOTES: SERIES 5510 IMPACT RESISTANT, VINYL HORIZONTAL ROLLER

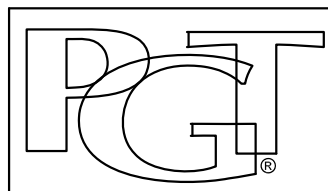
- THIS PRODUCT HAS BEEN DESIGNED & TESTED TO COMPLY WITH THE REQUIREMENTS OF THE FLORIDA BUILDING CODE.
- ALL WOOD BUCKS LESS THAN 1-1/2" THICK ARE TO BE CONSIDERED 1X INSTALLATIONS. 1X WOOD BUCKS ARE OPTIONAL IF UNIT IS INSTALLED DIRECTLY TO SUBSTRATE. WOOD BUCKS DEPICTED AS 2X ARE 1-1/2" THICK OR GREATER. 1X AND 2X BUCKS (WHEN USED) SHALL BE DESIGNED TO PROPERLY TRANSFER LOADS TO THE STRUCTURE. WOOD BUCK DESIGN AND INSTALLATION IS THE RESPONSIBILITY OF THE ENGINEER, (EOR) OR ARCHITECT OF RECORD, (AOR).
- ANCHOR EMBEDMENT TO BASE MATERIAL SHALL BE BEYOND WALL DRESSING OR STUCCO. USE ANCHORS OF SUFFICIENT EMBEDMENT. INSTALLATION ANCHORS SHOULD BE SEALED. OVERALL SEALING/FLASHING STRATEGY FOR WATER RESISTANCE OF INSTALLATION SHALL BE DONE BY OTHERS AND IS BEYOND THE SCOPE OF THESE INSTRUCTIONS.
- MAX. 1/4" SHIMS ARE REQUIRED AT EACH ANCHOR LOCATION WHERE THE PRODUCT IS NOT FLUSH TO THE SUBSTRATE. USE SHIMS CAPABLE OF TRANSFERRING APPLIED LOADS. WOOD BUCKS, BY OTHERS, MUST BE SUFFICIENTLY ANCHORED TO RESIST LOADS IMPOSED ON THEM BY THE WINDOW.
- THE ANCHORAGE METHODS SHOWN HAVE BEEN DESIGNED TO RESIST THE WINDLOADS CORRESPONDING TO THE REQUIRED DESIGN PRESSURE. THE 33-1/3% STRESS INCREASE HAS NOT BEEN USED IN THE DESIGN OF THIS PRODUCT. THE 1.6 LOAD DURATION FACTOR WAS USED FOR THE EVALUATION OF ANCHORS INTO WOOD. ANCHORS THAT COME INTO CONTACT WITH OTHER DISSIMILAR MATERIALS SHALL MEET THE REQUIREMENTS OF THE FLORIDA BUILDING CODE FOR CORROSION RESISTANCE.

TABLE 1:

Window Buck Size		Configuration	Reinf. Level	Design Pressure		Glass Types	Certification (CAR) Number
Width	Height			(+) psf	(-) psf		
75"	63"	XO/OX	R3	50.0	50.0	5-8	190-292, 1048
75"	63"	XO/OX	R4	60.0	60.0	5	190-290, 1074
75"	63"	XO/OX	R4	65.0	70.0	5-8	190-291, 1047
75"	72"	XO/OX	R4	50.0	50.0	5-8	190-289, 1046
120"	63"	XOX (1/4-1/2-1/4)	R3	45.0	45.0	5	190-297, 1053
92"	63"	XOX (1/3-1/3-1/3)					
120"	63"	XOX (1/4-1/2-1/4)	R3	50.0	50.0	5-8	190-298, 1054
92"	63"	XOX (1/3-1/3-1/3)					
120"	63"	XOX (1/4-1/2-1/4)	R4	65.0	65.0	7	190-295, 1051
92"	63"	XOX (1/3-1/3-1/3)					
120"	63"	XOX (1/4-1/2-1/4)	R4	65.0	70.0	7 & 8	190-296, 1052
92"	63"	XOX (1/3-1/3-1/3)					

SEE SHEET 2 FOR GLASS TYPES

Rev. Desc.	MINOR EDITS	Sheet	-	By	JR	Date	06/16/21
------------	-------------	-------	---	----	----	------	----------



Series Desc.	VINYL HORIZ ROLLER INSTALLATION, LM		Date	09/30/11
	GENERAL NOTES & ELEVATIONS		Dwn. By	J ROSOWSKI
	HR5510	Sheet	1 OF 4	DWG No.
				HR5510-FPA
				Rev.
				B

COPYRIGHT © 2021
 PGT INDUSTRIES, INC.
 LIMITED LICENSE TO MAKE
 COPIES FOR PERMITTING.
 CERT. OF AUTH. #29296
 1070 TECHNOLOGY DRIVE
 N. VENICE, FL 34275 (941)-480-1600

ANTHONY LYNN MILLER
 LICENSE
 No. 58705
 6/23/21
 STATE OF FLORIDA
 PROFESSIONAL ENGINEER
 A. LYNN MILLER, P.E.
 P.E.# 58705

TABLE 2: ANCHORS INSTALLED THROUGH FRAME

Anchor	Substrate	Min. Edge Distance	Min. Embedment
#10 SMS (steel, 18-8 S.S. or 410 S.S.) Max. DP of 50.0 psf	P.T. Southern Pine (SG=0.55)	7/16"	1-3/8"
	Steel, A36	3/8"	0.050"
	Steel Stud, A653 Gr. 33	3/8"	0.0346" (20 Ga.)
	Aluminum, 6063-T5	3/8"	0.0713" (14 Ga.)
#12 SMS (steel, 18-8 S.S. or 410 S.S.)	P.T. Southern Pine (SG=0.55)	9/16"	1-3/8"
	Steel, A36	3/8"	0.050"
	Steel Stud, A653 Gr. 33	3/8"	0.0346" (20 Ga.)
	Aluminum, 6063-T5	3/8"	0.0713" (14 Ga.)
3/16" Ultracon Max. DP of 50.0 psf	P.T. Southern Pine (SG=0.55)	7/16"	1-3/8"
	Concrete (min. 2.85 ksi)	1"	1-3/8"
	UngROUTED CMU, (ASTM C-90)	2-1/2"	1-1/4"
3/16" Ultracon+ Max. DP of 50.0 psf	P.T. Southern Pine (SG=0.55)	7/16"	1-3/8"
	Concrete (min. 3 ksi)	1"	1-3/8"
	UngROUTED CMU, (ASTM C-90)	1"	1-1/4"
1/4" Ultracon	P.T. Southern Pine (SG=0.55)	1"	1-3/8"
	Concrete (min. 2.85 ksi)	1"	1-3/4"
	UngROUTED CMU, (ASTM C-90)	2-1/2"	1-1/4"
1/4" Ultracon+	P.T. Southern Pine (SG=0.55)	1"	1-3/8"
	Concrete (min. 3 ksi)	1-3/16"	1-3/4"
	UngROUTED CMU, (ASTM C-90)	1"	1-1/4"
1/4" Crete-Flex (410 S.S.)	P.T. Southern Pine (SG=0.55)	1"	1-3/8"
	Concrete (min. 3.35 ksi)	1"	1-3/4"
	UngROUTED CMU, (ASTM C-90)	2-1/2"	1-1/4"
1/4" Aggre-Gator (18-8 S.S.)	Concrete (min. 3.275 ksi)	1-1/2"	1-3/8"
	P.T. Southern Pine (SG=0.55)	1"	1-3/8"
	UngROUTED CMU, (ASTM C-90)	2"	1-1/4"

TABLE 3: ANCHORS INSTALLED THROUGH INTEGRAL FIN

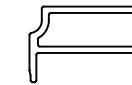
Anchor	Substrate	Min. Edge Distance	Min. Embedment
2-1/2" x .131" Common Nail Max. DP of 50.0	P.T. Southern Pine (SG=.55)	9/16"	2-7/16"
	P.T. Southern Pine (SG=.55)	9/16"	2-7/16"
2-1/2" x .131" Ring-shank Nail	P.T. Southern Pine (SG=.55)	9/16"	2-7/16"
2-1/2" x .145" Roofing Nail	P.T. Southern Pine (SG=.55)	9/16"	2-7/16"
#10 SMS (steel, 18-8 S.S. or 410 S.S.)	P.T. Southern Pine (SG=.55)	3/4"	1-3/8"
	Aluminum, 6063-T5	3/8"	0.0713" (14 Ga.)
	Steel Stud, Gr. 33	3/8"	0.0346" (20 Ga.)
	Steel, A36	3/8"	0.050"

ANCHOR NOTES:

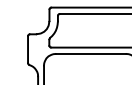
- 1) "UNROUTED CMU" VALUES MAY BE USED FOR GROUTED CMU APPLICATIONS.
- 2) PANHEAD, FLATHEAD OR HEXHEAD ARE ACCEPTABLE.
- 3) ANCHOR LENGTH TO BE SO THAT A MIN. OF 3 THREADS EXTEND BEYOND THE METAL SUBSTRATE.

TABLE 4: REINFORCEMENT TYPES

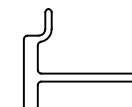
Level	Reinforcement	
	Vent (4 sides)	Meeting Rail
R3	B	E
R4	C	F



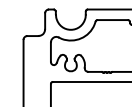
REINFORCEMENT TYPE B



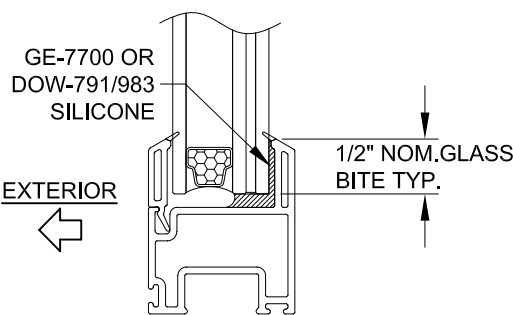
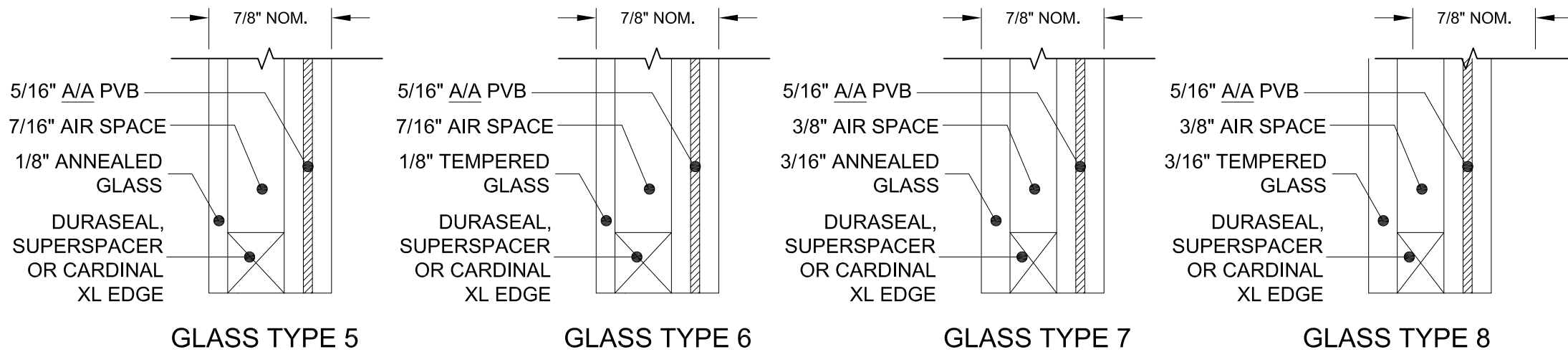
REINFORCEMENT TYPE C



REINFORCEMENT TYPE E



REINFORCEMENT TYPE F

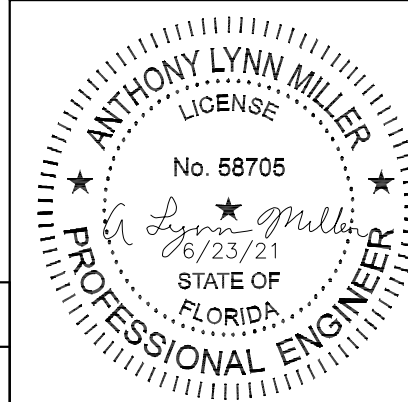


TYP. GLAZING DETAIL

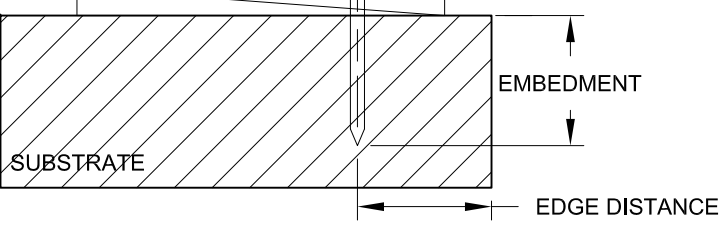
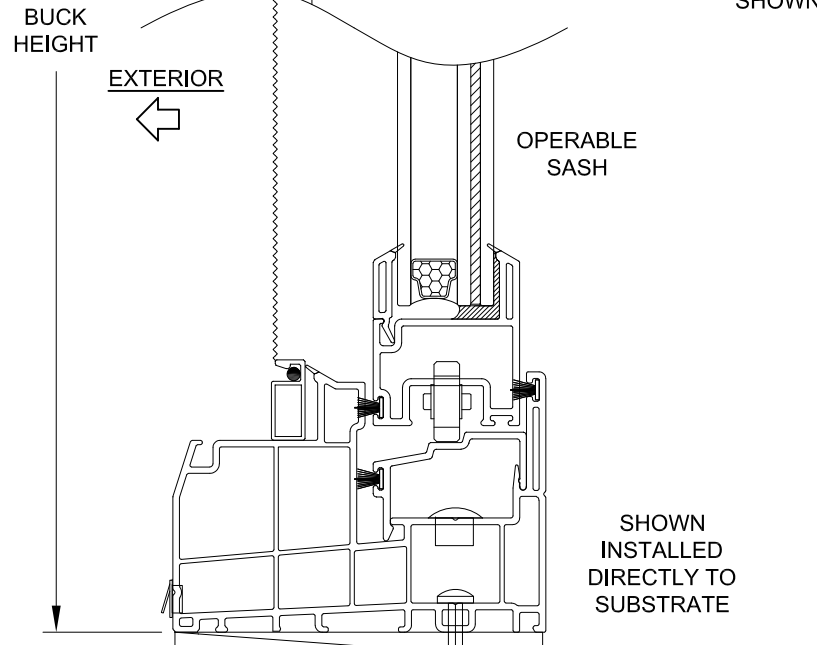
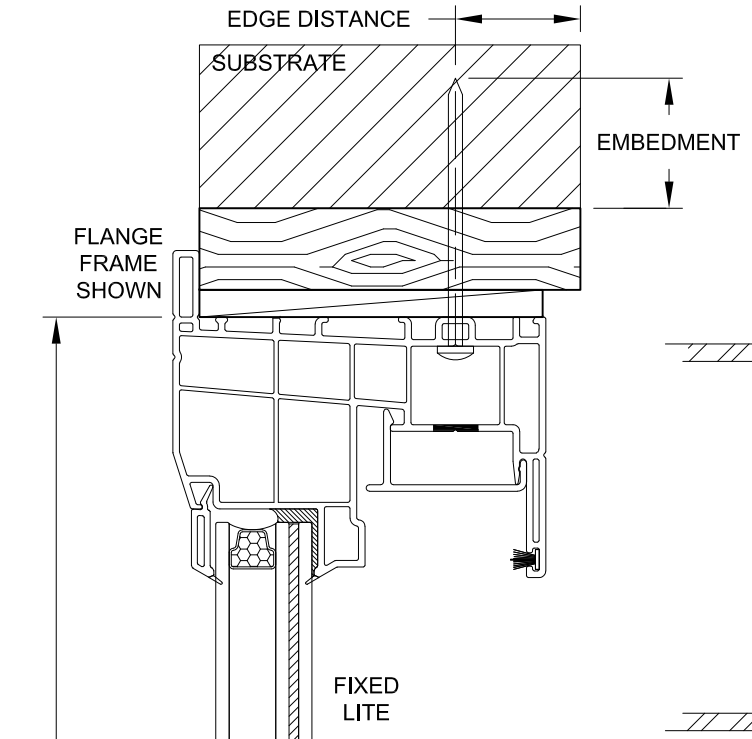
PVB INTERLAYER MANUFACTURED BY KURARAY AMERICA, INC.

	Series Desc. Title	VINYL HORIZ ROLLER INSTALLATION, LM	Date	09/30/11
		GLASS/ANCHORS/FRAME OPTIONS	Dwg. By	J ROSOWSKI
	HR5510	Sheet	2 OF 4	DWG No.
				HR5510-FPA
				Rev.
				B

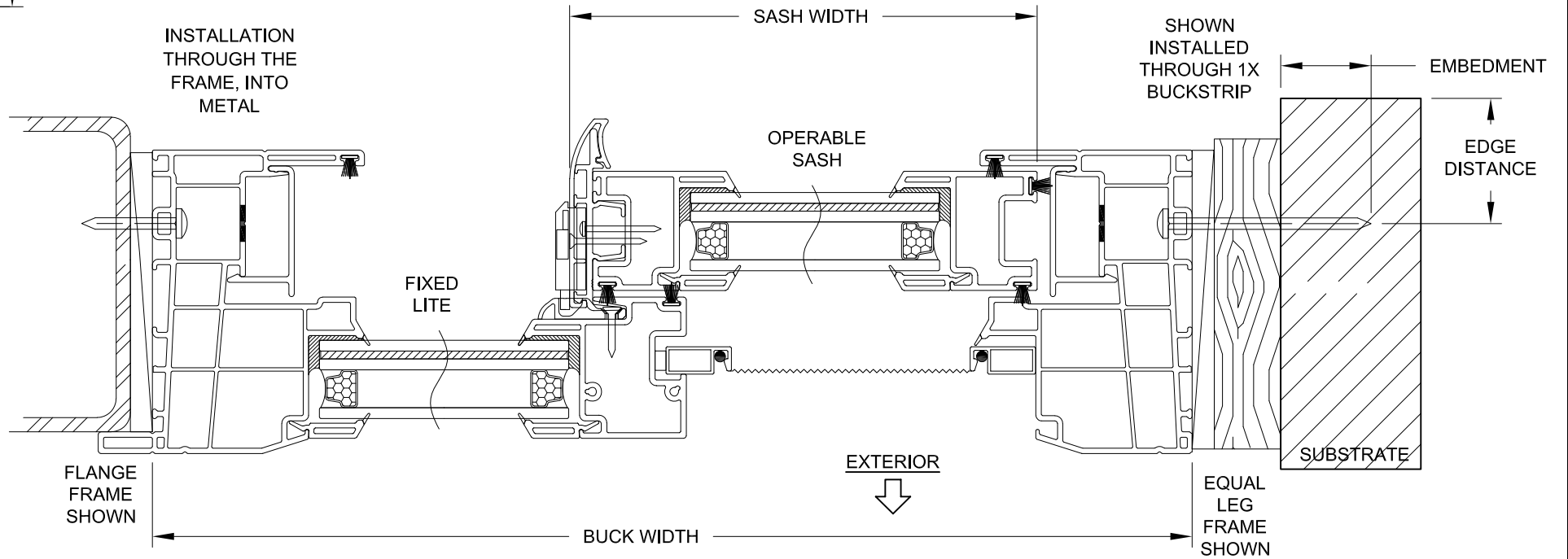
COPYRIGHT © 2021
PGT INDUSTRIES, INC.
LIMITED LICENSE TO MAKE
COPIES FOR PERMITTING.
CERT. OF AUTH. #29296
1070 TECHNOLOGY DRIVE
N. VENICE, FL 34275 (941)-480-1600



A. LYNN MILLER, P.E.
P.E.# 58705



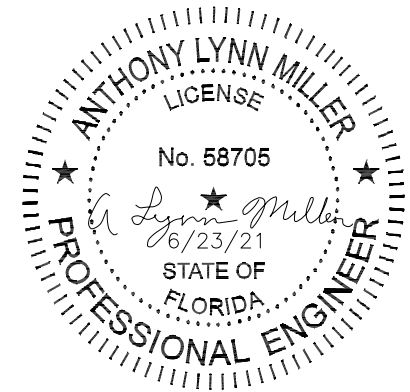
VERTICAL SECTION B-B



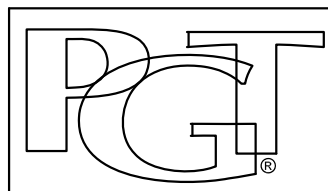
HORIZONTAL SECTION A-A (XO)
(OX & XOX SIMILAR)

- INSTALLATION NOTES:**
- 1) SEE SHEET 1 FOR SPACING REQUIREMENTS.
 - 2) SEE TABLE(S) ON SHEET 2 FOR ANCHORAGE AND SUBSTRATE REQUIREMENTS.
 - 3) MAX. SHIM THICKNESS TO BE 1/4".
 - 4) GLASS SHOWN IS FOR ILLUSTRATIVE PURPOSES ONLY AND MAY DIFFER TO MEET DESIGN REQUIREMENTS.
 - 5) FIN AND/OR FLANGE MAY BE REMOVED TO CREATE OTHER FRAME TYPES.

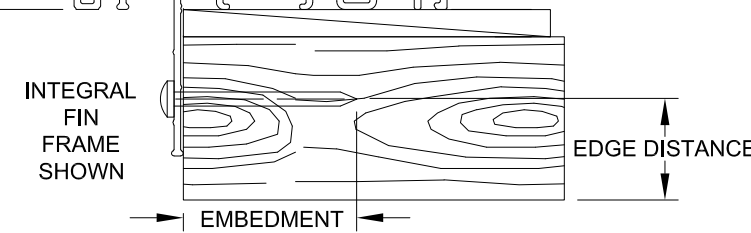
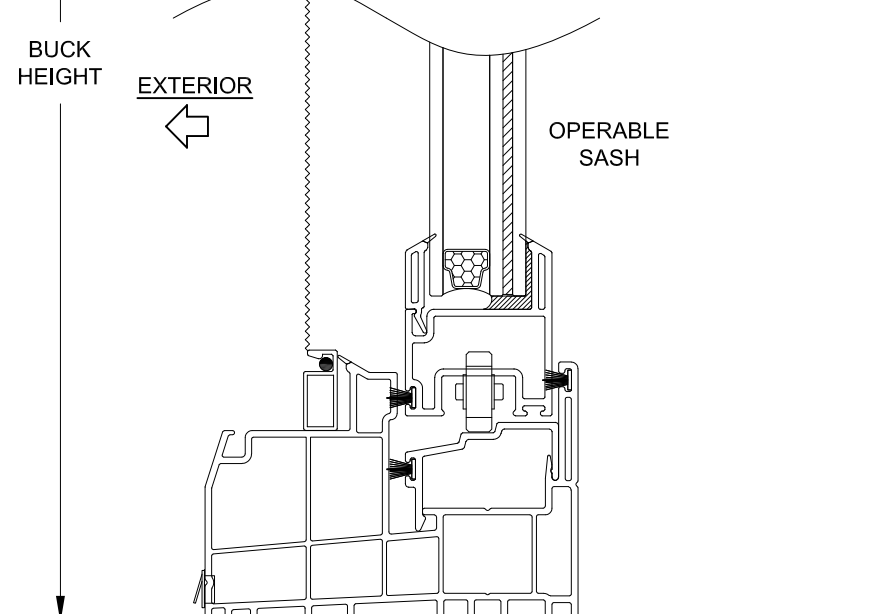
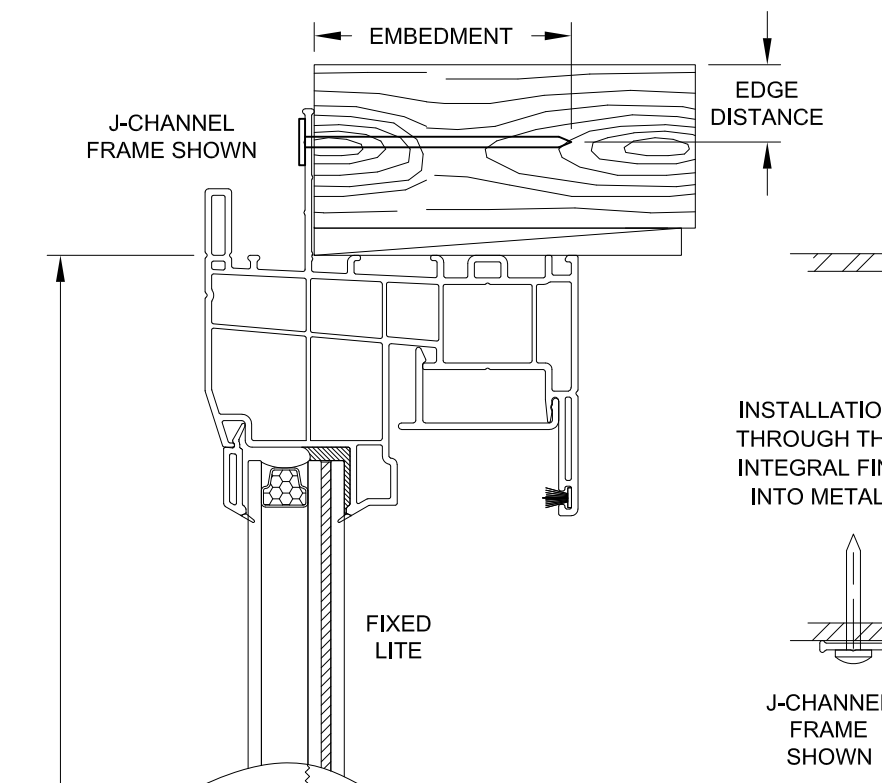
COPYRIGHT © 2021
PGT INDUSTRIES, INC.
LIMITED LICENSE TO MAKE
COPIES FOR PERMITTING.
CERT. OF AUTH. #29296
1070 TECHNOLOGY DRIVE
N. VENICE, FL 34275 (941)-480-1600



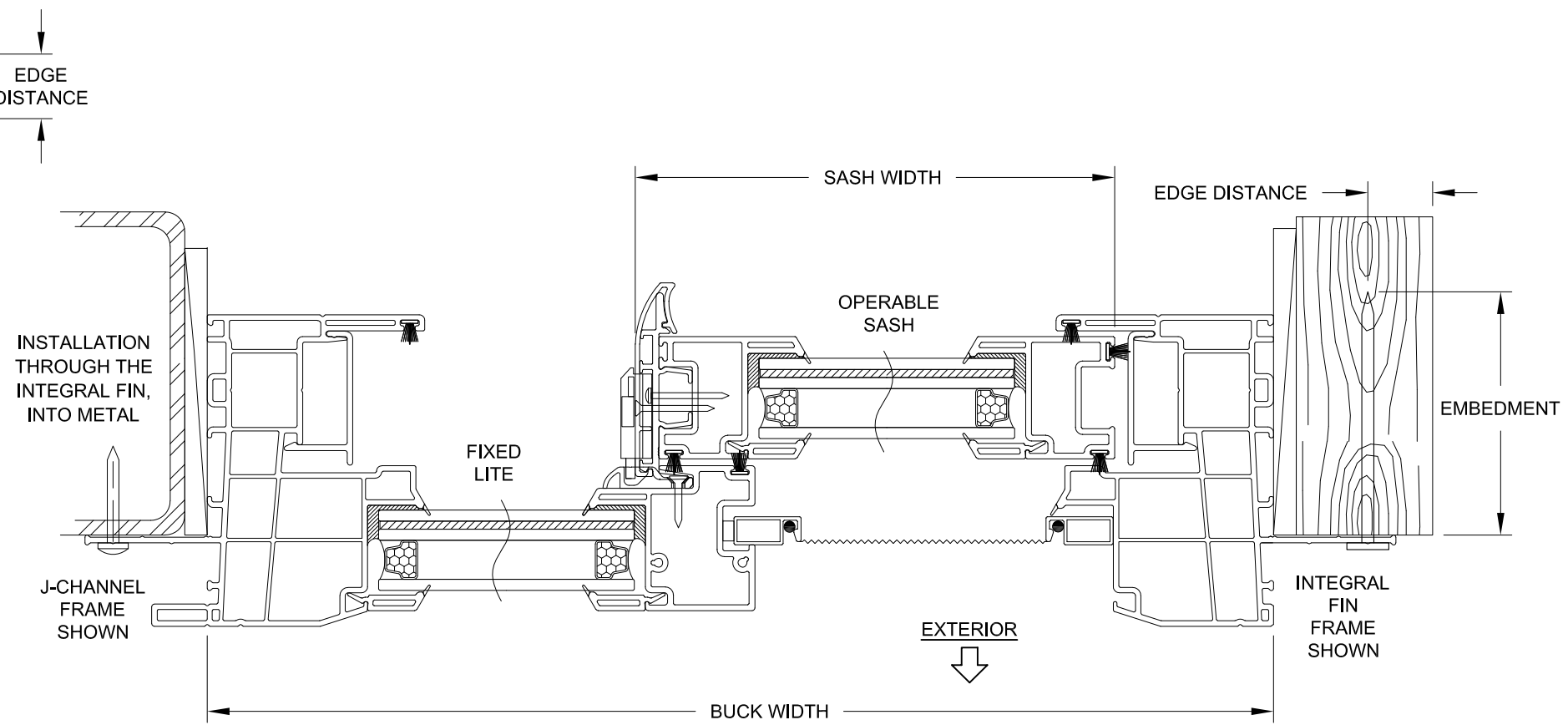
A. LYNN MILLER, P.E.
P.E.# 58705



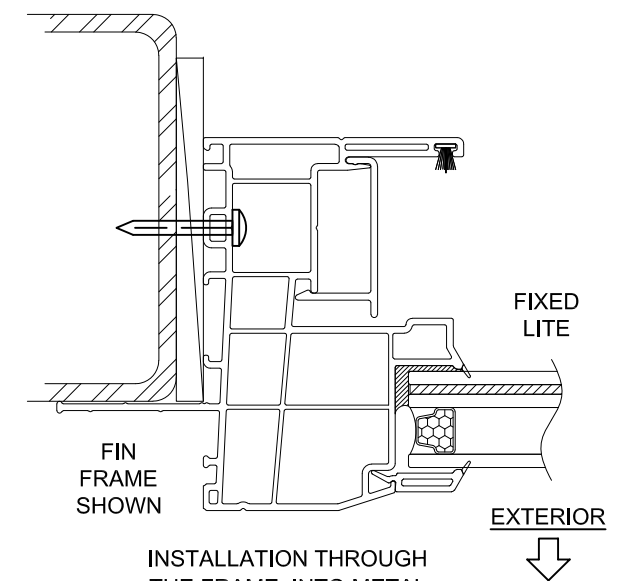
Series Desc.	VINYL HORIZ ROLLER INSTALLATION, LM		Date	09/30/11
	FLANGE/EQUAL-LEG INSTALLATION		Dwn. By	J ROSOWSKI
HR5510	Sheet	3 OF 4	DWG No.	HR5510-FPA
			Rev.	B



VERTICAL SECTION D-D



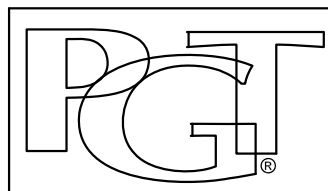
HORIZONTAL SECTION C-C (XO)
(OX & XOX SIMILAR)



INSTALLATION THROUGH THE FRAME, INTO METAL (JAMB SHOWN, HEAD & SILL SIMILAR)

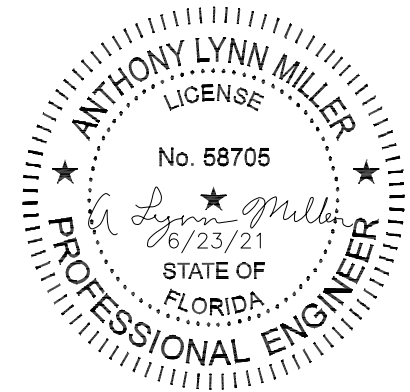
INSTALLATION NOTES:

- 1) SEE SHEET 1 FOR SPACING REQUIREMENTS.
- 2) SEE TABLE(S) ON SHEET 2 FOR ANCHORAGE AND SUBSTRATE REQUIREMENTS.
- 3) MAX. SHIM THICKNESS TO BE 1/4".
- 4) GLASS SHOWN IS FOR ILLUSTRATIVE PURPOSES ONLY AND MAY DIFFER TO MEET DESIGN REQUIREMENTS.
- 5) FIN AND/OR FLANGE MAY BE REMOVED TO CREATE OTHER FRAME TYPES.



Series Desc.	VINYL HORIZ ROLLER INSTALLATION, LM		Date	09/30/11
	INTEGRAL FIN INSTALLATION		Dwn. By	J ROSOWSKI
HR5510	Sheet	4 OF 4	DWG No.	HR5510-FPA
			Rev.	B

COPYRIGHT © 2021
PGT INDUSTRIES, INC.
LIMITED LICENSE TO MAKE
COPIES FOR PERMITTING.
CERT. OF AUTH. #29296
1070 TECHNOLOGY DRIVE
N. VENICE, FL 34275 (941)-480-1600



A. LYNN MILLER, P.E.
P.E.# 58705